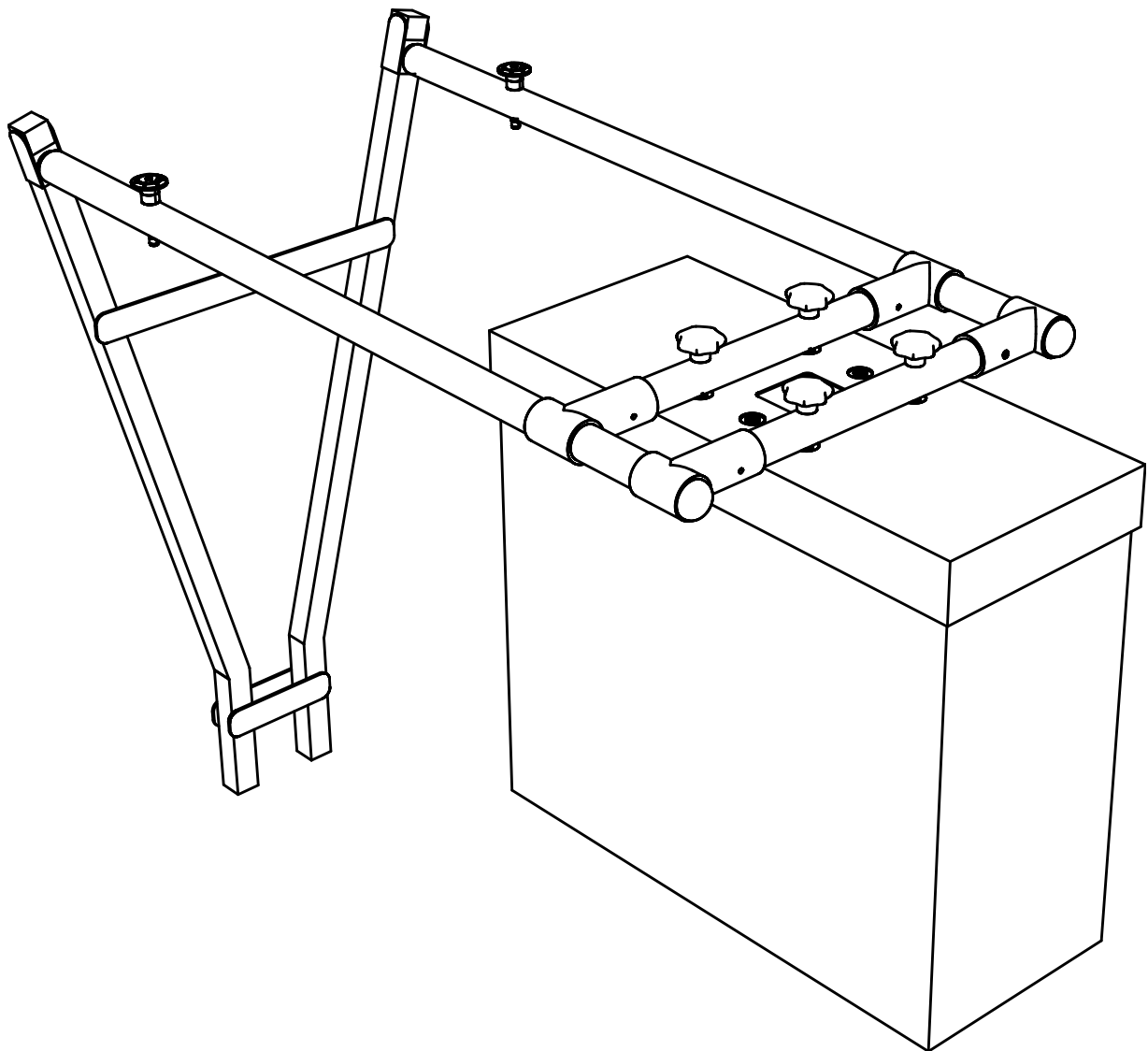
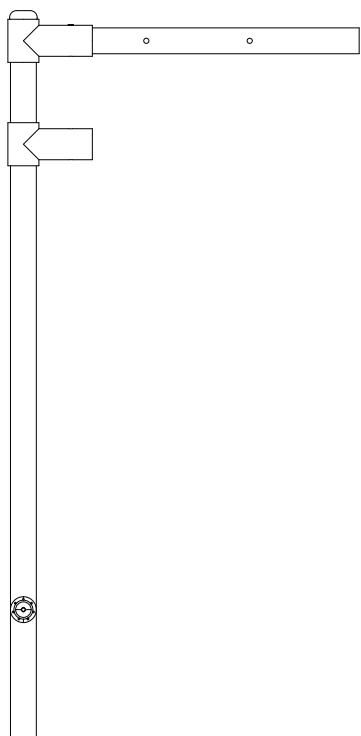


CMH-201

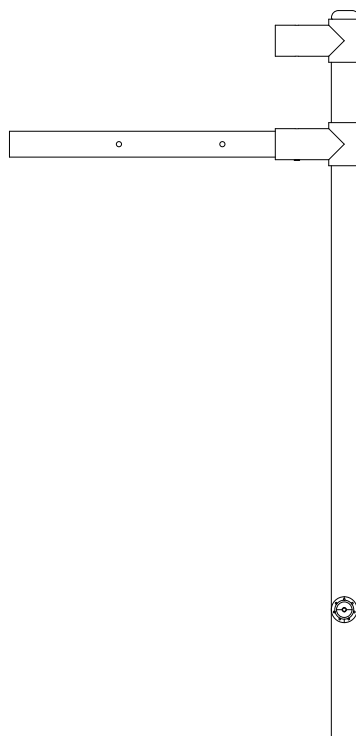
Assembly Instructions



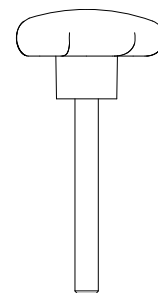
GEOSCANNERS
geophysical survey solutions



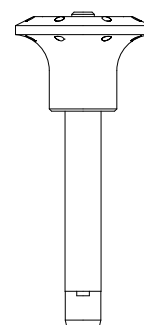
Left Side x 1



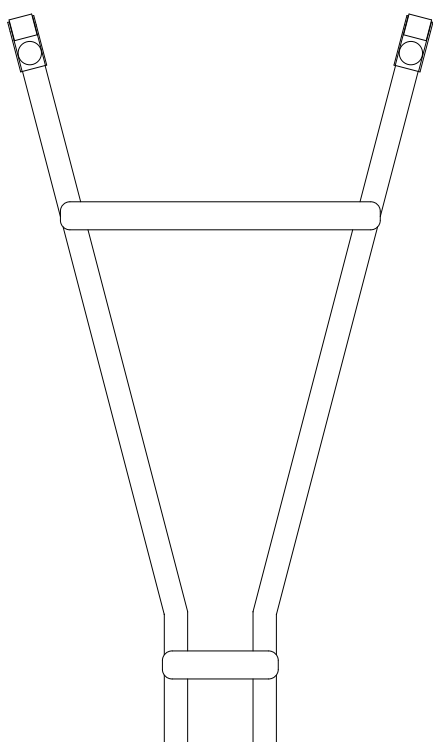
Right Side x 1



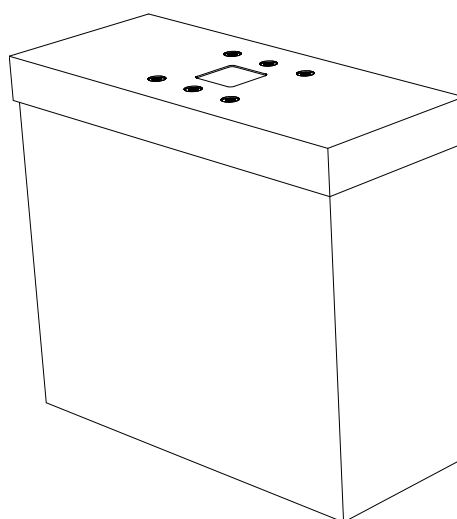
M6 bolt x 4



Locking bolt (45mm) x 2



Hitch ball holder x 1



(HA antenna x 1)*

*No antennas are included with CMH-201. Antennas are purchased separately. The HA horn antenna in this instruction is an example of an antenna that can be used with CMH-201. For more information contact the Geoscanners AB Sales Department +46(0)92153020. ©2015 Geoscanners AB, Sweden.

